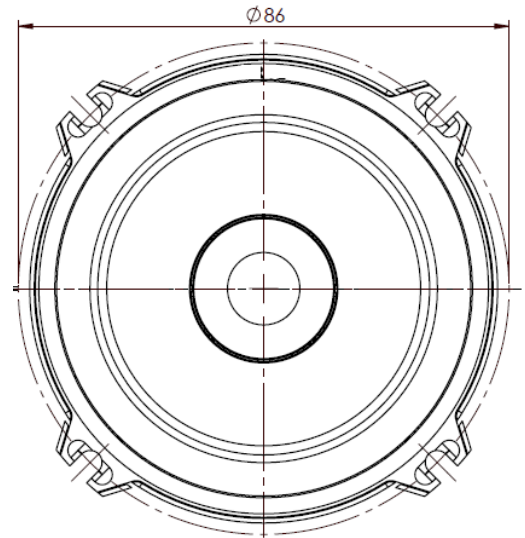
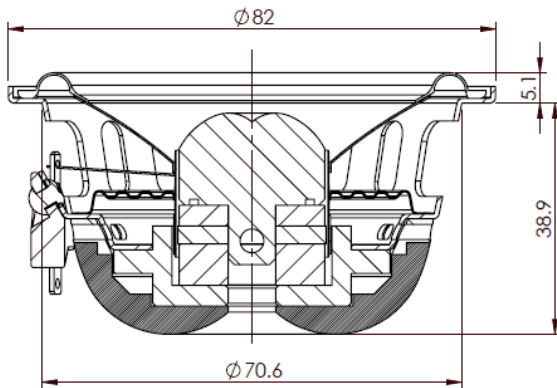


AEROSPACE 80 PP

Specifications:

| | | |
|-----------------------|-----|--|
| Name | | HG-80AeroPP-3 |
| DC resistance | Rdc | 2,5 Ω |
| Nominal impedance | ZN | 3 Ω |
| Resonance frequency | fs | 110 HZ |
| Voice coil diameter | | 25 mm |
| Mechanical Q factor | Qms | 3,27 |
| Electrical Q factor | Qes | 0,34 |
| Total Q factor | Qts | 0,31 |
| Moving mass | Md | 3,3 g |
| Effective piston area | Sd | 35 cm² |
| Mechanical resistance | Rms | 0,7 Kg/s |
| Compliance | Cms | 0,63 mm/N |
| Force factor | BL | 4,1 Tm |
| Equivalent air volume | Vas | 1,1 dm³ |
| Efficiency | η | 0,41 % |
| SPL 2,83V/1m | | 93,19 dB |
| High-pass / Hochpass | | > 300 Hz 18 dB/Oct > 350 Hz 12 dB/Oct |



Cone: GLADEN C5
Spider: Connex
Surround: SBR
Coil former: Aluminum
Basket: Steel
Phase Plug: Aluminum

