

CRPP-MB3

CUSTOM FIT UPGRADE

Mercedes W907/W910 2018-

The Cruise series brings you the DLS natural sound engineered for integration. Easy to install and the perfect upgrade from your OEM system.

- Natural and musical fullrange speaker
- Compatible with audio & E-call functions
- Optimized moving components for low distortion
- Neodymium magnet solution
- Accurate 3" glass fiber laminated woofer
- Reinforced ABS basket
- High sensitivity, play more with less power
- Easy to install
- Accessories included



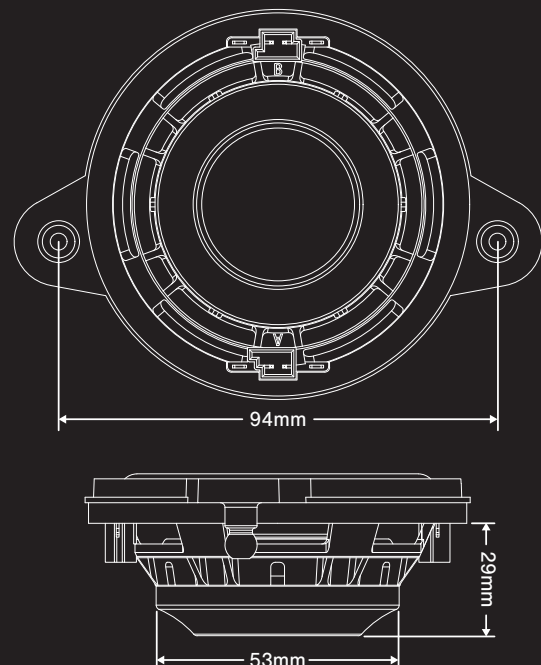
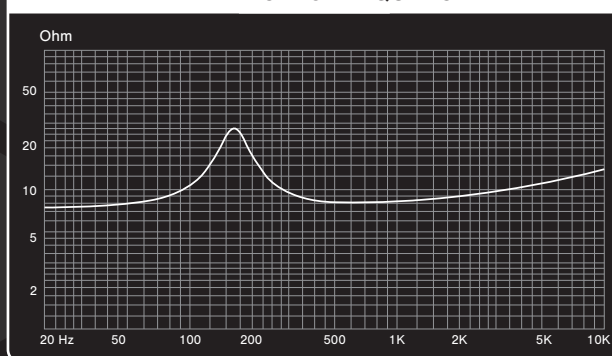
ELECTRO-ACOUSTIC PARAMETERS

Woofer	
Re	7.6 Ohm
Fs	156.8 Hz
Mms	2.75 g
Cms	0.375
Vas	0.48 L
Qts	1.17
Qes	1.39
Qms	7.65
Bl	3.84 T.m
SPL	83.2dB 1W/1M
Sd	30.2cm ²

SPECIFICATIONS

Woofer	3" / 80mm
Power RMS	55W
Power MAX	110W
Impedance	3 Ohm
Sensitivity	90dB
Freq.range	120-20000Hz

IMPEDANCE vs FREQUENCY



CRUISE

CRPP-MB3

CUSTOM FIT UPGRADE

Mercedes W907/W910 2018-



COMPATIBLE CAR MODELS*		
Car	Model	Year
MERCEDES	SPRINTER W907	2018 -
MERCEDES	SPRINTER W910	2018 -

* Read more on www.dls.se for full compatibility list.

INCLUDED PRODUCTS

1pcs Fullrange speaker

INCLUDED IN BOX

1pc Speaker connection cable

2pcs Terminal crimp connectors

1pc Adhesive foams for wrapping

1pc PRY Tool

1pc Manual



DLS Sweden, a part of Winn Scandinavia AB
www.facebook.com/dlsaudioofficial
www.dls.se | info@dls.se



CRUISE