

CONNECTINGS + TRIGGER



- 1) Right speaker output.
- 2) Left speaker output.
- 3) ON/OFF switch and general plug-in (with protection fuse).
- 4) Right Analog output.
- 5) Left Analog output.
- 6) Right Analog input.
- 7) Left Analog input.
- 8) Input type elector:
 - Line: button pushed off.
 - XLR: button pushed on.
- 9) Left XLR input.
- 10) Right XLR input.
- 11) Switch for MONO bridge.
- 12) Trigger input^(a).

^(a) This input allows the control ON/OFF of your amplifier simultaneously to any device with a 12V Trigger outlet. For the system to operate, the ON/OFF button on your AM400 must remain in the OFF position (0). If the switch is in the ON position (1), the amplifier will work but not the Trigger function.

DETAIL OF FUNCTIONS



- 13) Led indicator of ON/OFF switch.
- 14) Led indicator of mono bridge: the led is ON when the Power Amp. has been activated on MONO before general switch on.
- 15) Led indicator of XLR input mode: the LED switches on if the button (8) on the rear of the AM is on XLR position.

BRIDGE MONO MODE



Warning: be sure that your amplifier is unplugged and that no other appliance is plug-in during this operation.

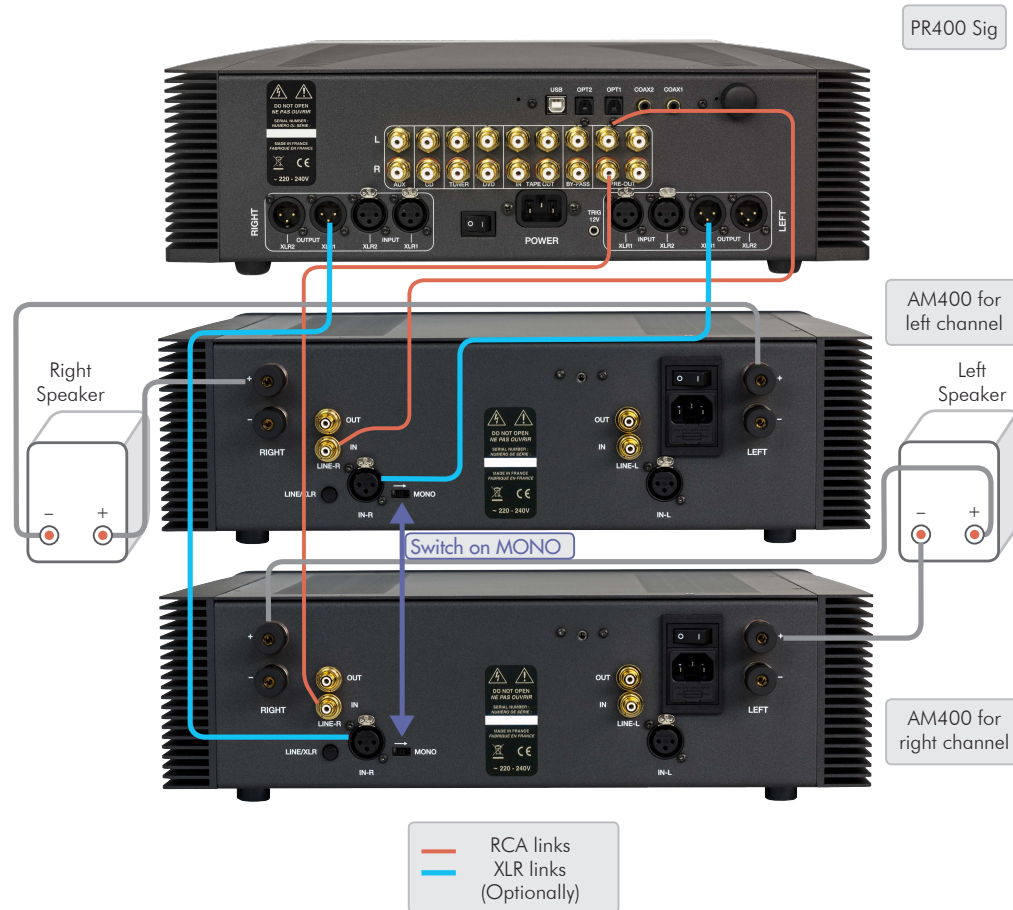
You can transform your AM400 power amplifier into a mono bridge amplifier. Activate the input (11) at the rear of the appliance on MONO. PRE-OUT outputs of the preamp must be connected to the **Right inputs** of each Amplifier.

For each Amplifier, terminal ⊕ (red) of the Right output (1) has to be connected to the terminal ⊕ (red) of the speaker and terminal ⊕ (red) of the Left output (2) to the terminal ⊖ (black) of the speaker.

The wiring of the speakers will be the same while using RCA or XLR cables.

CONNECTIONS

(Configuration: 1 Preamp and 2 Power Amplifiers mono bridged).



— RCA links
— XLR links (Optionally)

E.C. MARKING

E.C. marking certified the conformity with low tension directive 73/23/CEE, directive CEM 89/336/CEE, and national transpositions.

GUARANTEE

The guarantee is **two years** long from the date of purchase. We recommend you to ask your dealer to fill the guarantee and to conserve it. The guarantee is only available for appliances that have been used correctly.

CLEANING

Before any cleaning, switch off your amplifier. Use a soft and dry rag to clean up the appliance. Never use acetone, white-spirit, ammoniac, or any kind of product containing an abrasive agent. **Never try to clean up inside the appliance.**



TECHNICAL DATA

Power Wrms/ch./8 Ω (230v):	160 W
Power Wrms/ch./4 Ω (230v):	300 W
Power supply:	600 W
Total of capacitors:	1015 VA
Number of Inputs:	111 300 μF
	1 ligne (+1 sortie)
	1 XLR
Input Impedance:	220 kΩ
Sensitivity:	1,7 V
Signal/Noise rate:	100 dB
Distortion at 1kHz:	0,005%
Frequency Response:	5 Hz - 200 kHz
Rising Time:	1,5 μs
Dimensions:	440×370×130 mm
Weight:	19,0 Kg



CAUTIONS

- **Do not make any connections when your device is powered on.**
- Put your device in a dry and well-ventilated place, far from a source of heat.
- Avoid putting something on your amplifier.
- Avoid any short-cut.
- Strictly respect polarity ⊕ & ⊖, as well as the left and right connections.
- Do not plug-in two speakers in parallel on the same output.



ADVISES

- To optimize the performance of your device, you should switch it on at least half an hour before any listening, the time for the power stage to reach its ideal working temperature.
- Your device will give you optimal listening quality after this time-lapse.
- Between two uses, it is, therefore, preferable to let the device on so that it remains at its optimum temperature.
- At night or when you leave your home, it is best to use the main switch to turn off the device.
- To optimize the sound quality of your system, we recommend that you choose good-quality connection cords. Do not hesitate to ask your specialist dealer for advice.
- Your amplifier is equipped with a temporized switch on. A relay protects loudspeakers on the output power stage from over-voltage.

You have just bought an amplifier with exceptional audiophile performance. We really thank you for your confidence in our products. To get the best part of your amplifier, please read carefully this manual.



**YOU WILL FIND
ENCLOSED**

- A power amplifier AM400.
- One power lead.
- This manual with the certificate of guarantee.

ATOLL ELECTRONIQUE®
*is a French Company that designs, manufactures, and
commercializes all its products.*





GUARANTEE ~ MODEL AM400

To present to your dealer with the invoice when returning back the appliance:

ATOLL ELECTRONIQUE®
Bd des Merisiers
50370 BRECEY
FRANCE

Date of purchase:

Place of purchase:

Buyer signature:

Dealer Stamp

OWNER'S MANUAL

STEREO POWER
AMPLIFIER

AM400

