

CONNECTING



- 1) Amplifier input.
- 2) Amplifier output (to another power amplifier for bi-amp).
- 3) Right channel output.
- 4) Trigger 12V input (\*).
- 5) Left channel output.
- 6) General power plug and ON/OFF button (with internal fuse).

(\* Trigger Input: This input allows the control ON/OFF of your amplifier simultaneously to any device with a 12V trigger outlet. In order that the system is operating, the ON/OFF button of your Amplifier must remain in position OFF (0). If the switch is in the ON position (1), the amplifier will work but not the Trigger function.



Trigger cable must be a Male to Male jack plug 3.5mm (1/8").

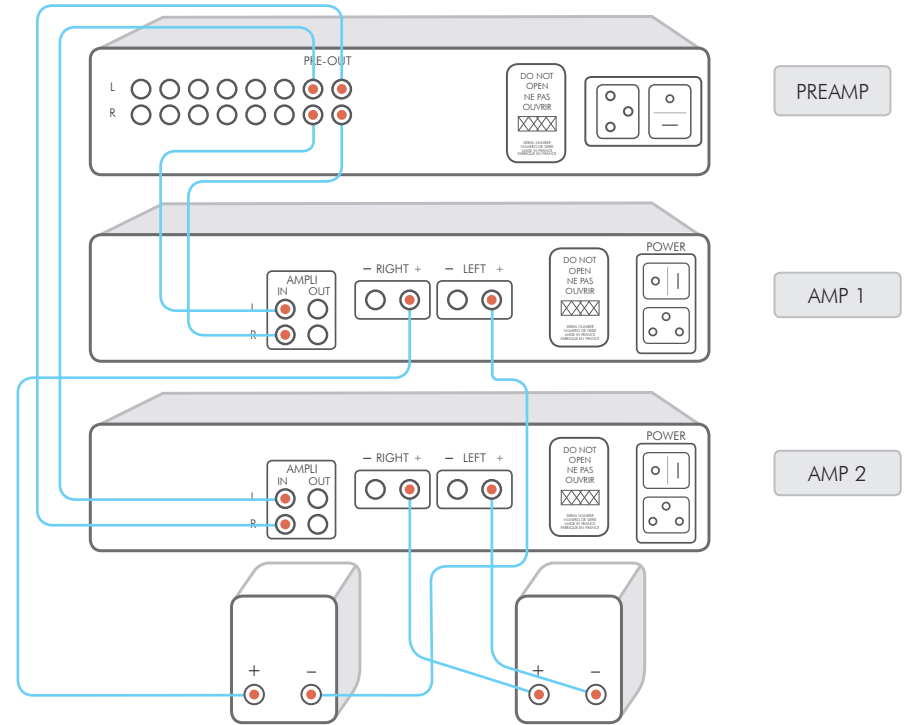
DETAIL OF FUNCTIONS



- 7) Power indicator led.

CONNECTING

(Configuration: 1 Preamplifier and 2 mono amplifiers).



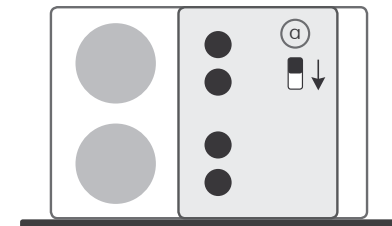
MONO BRIDGE MODE



Warning: for the AM100 Signature, bridged mono mode is not recommended on speakers with an impedance of less than 6 Ω.

To transform your Power Amplifier from Stereo to Mono, you have to push the switch (a) placed inside the appliance as shown below:

Warning: be sure that your amplifier is unplugged and that no other appliance is plug in during this operation.



## E.C. MARKING

E.C. marking certified the conformity with low tension directive 73/23/CEE, directive CEM 89/336/CEE and national transpositions.

## GUARANTEE

The guarantee is **two years** long from date of purchase. We recommend you to ask your dealer to fill the guarantee and to conserve it. The guarantee is only available for appliance which have been use correctly.

## CLEANING

Before any cleaning, switch off your appliance. Use a soft and dry rag to clean up the device. Never use acetone, white-spirit, ammoniac, or any kind of product containing an abrasive agent. **Never try to clean up inside the appliance.**



## TECHNICAL DATA

Power:	100 W /canal /8Ω 140 W /canal /4Ω
Impulse Power:	180 W /canal
Supply:	2×340 VA
Total of capacitors:	32 247 μF
Number of Inputs:	2
Input Impedance:	47 kΩ
Sensibility:	1,77 V
Signal/Noise ratio:	100 dBA
Distortion at 1kHz:	0,05% / 10 W
Bandwidth:	5 Hz - 100 kHz
Rising Time:	1,3 μs
Dimensions:	440×255×90 mm
Weight:	11,0 kg



## CAUTIONS

- **Do not make any connections when your device is powered on.**
- Put your amplifier in a dry and well ventilated place, far from source of heat.
- Do not put something on your amplifier.
- Avoid any short-cut.
- Respect polarity ⊕ & ⊖ and switch left & right:
- Do not plug in two speakers in parallel on the same output.



## ADVISES

- To optimize the performance of your device, you should switch it on at least half an hour before any listening, the time for the power stage to reach its ideal working temperature.
- Your device will give you optimal listening quality after this time-lapse.
- Between two uses, it is, therefore, preferable to let the device on so that it remains at its optimum temperature.
- At night or when you leave your home, it is best to use the main switch to turn off the device.
- To optimize the sound quality of your system, we recommend that you choose good-quality connection cords. Do not hesitate to ask your specialist dealer for advice.
- Your Amplifier is equipped with a temporised switch on. A relay protects loudspeakers on output power stage from over-voltage.

*You have just bought an amplifier with exceptional audiophile performance. We really thank you for your confidence in our products. To get the best part of your amplifier, please read carefully this manual.*



**YOU WILL FIND  
ENCLOSED**

- An amplifier.
- One power lead.
- This manual with the certificate of guarantee.

**ATOLL ELECTRONIQUE®**  
*is a French Company that designs, manufactures, and  
commercializes all its products.*





GUARANTEE ~ AM100 Sig

*To present to your dealer with the invoice when returning back the appliance:*

ATOLL ELECTRONIQUE®  
Bd des Merisiers  
50370 BRECEY  
FRANCE

*Date of purchase:*

*Place of purchase:*

*Buyer signature:*

Dealer Stamp

# OWNER'S MANUAL

## AMPLIFIER

### AM100 SIGNATURE

