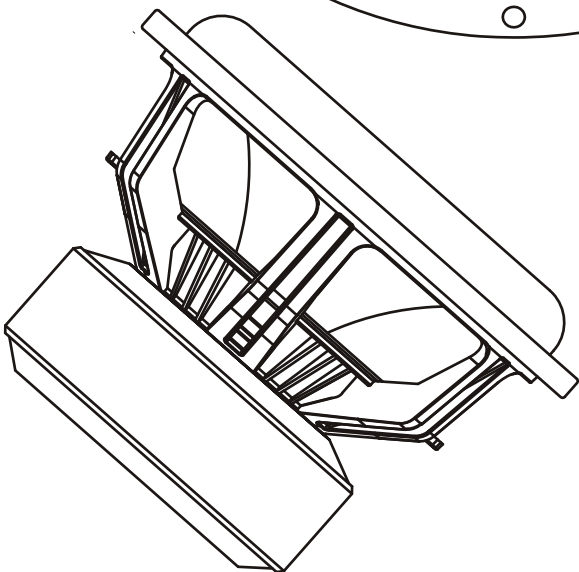
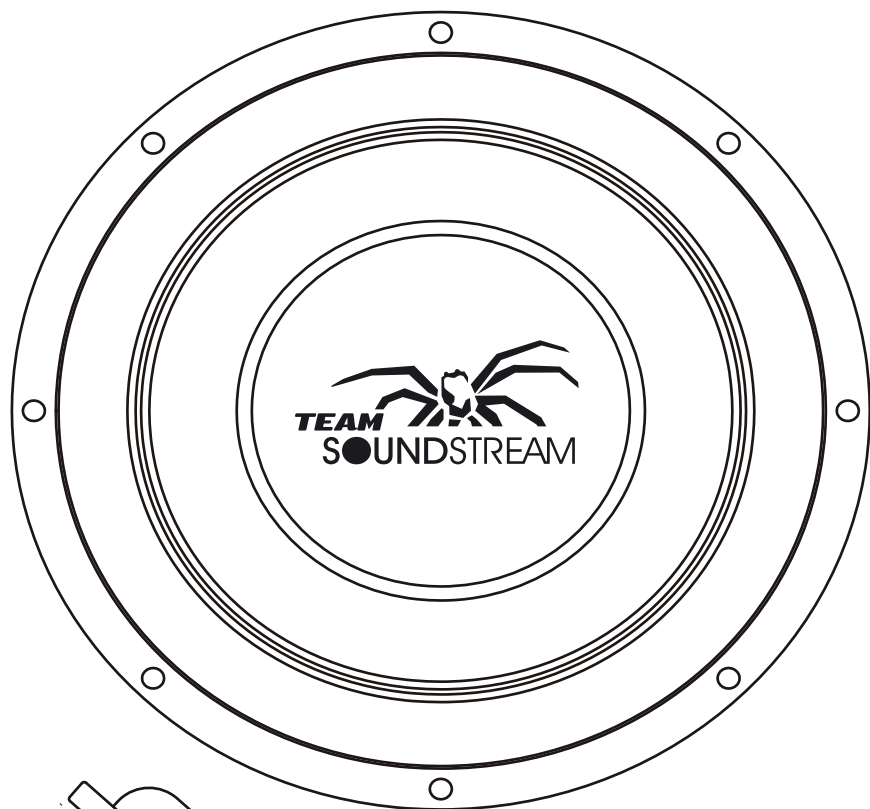


# SOUNDSTREAM



CAR AUDIO  
SUBWOOFER  
X5.12/X5.15

*Thank you for choosing Soundstream subwoofers, designed & engineered in the U.S.A. This product combines innovative technology with the finest materials to consistently deliver absolutely state of the art performance, sound quality, reliability, and value. This subwoofer reflects our commitment to offer you unparalleled performance and quality for years of dependable service and listening enjoyment.*

*In recent years, our subwoofers have evolved to meet various performance and placement goals, keeping your, the Soundstream fanatic, suggestions in mind.*

*New for 2021, we introduce X5 subwoofers, available exclusively to our Soundstream specialists. These behemoths are not for the faint hearted*

## **FEATURES, PARAMETERS, & SPECIFICATIONS**

4" High Temperature ASV Voice Coil  
Vented T-Yoke & Frame Reduces Voice Coil Heat Build-up  
Non-Magnetic Non-Resonate Die-Cast Aluminum Frame  
1-pc Gasket/Trim Ring w/ Concealed Mounting Holes Included  
High-Temperature Tolerance Adhesives Resist Thermal Failure  
Non-Transfer Spruce Pulp Cone w/ UV & Chemical Protection  
Stitched and Glued Surround/Cone Joints for Strongest Bonding  
Extended Excursion Poly-ether Foam Surround w/ UV Protection  
Dual Poly-Cotton Suspension Dampen Violent Accelerations  
Overcompensating Motor Structure for Increased Magnetic Strength

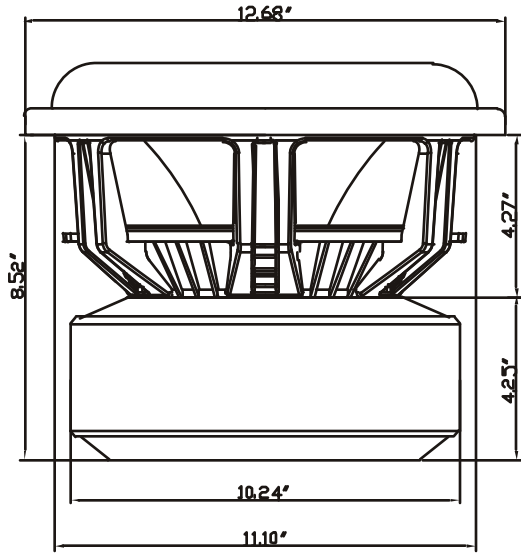
<b>Specification</b>	<b>X5.12</b>	<b>X5.15</b>
<b>Fs (Hz)</b>	<b>43.08</b>	<b>40.18</b>
<b>Qms</b>	<b>6.983</b>	<b>9.098</b>
<b>Vas (ft<sup>3</sup>)</b>	<b>11.855</b>	<b>36.97</b>
<b>Cms (mm/N)</b>	<b>40.794</b>	<b>40.904</b>
<b>Mms (g)</b>	<b>328.9</b>	<b>334.74</b>
<b>Xmax (mm)</b>	<b>20.5</b>	<b>20.5</b>
<b>Xmech (mm)</b>	<b>50</b>	<b>50</b>
<b>Qes</b>	<b>0.556</b>	<b>0.546</b>
<b>Re (Ω)</b>	<b>1</b>	<b>1</b>
<b>Z (Ω)</b>	<b>1</b>	<b>1</b>
<b>BL (Tm)</b>	<b>18.04</b>	<b>17.59</b>
<b>MAX Power</b>	<b>7500w</b>	<b>7500w</b>
<b>RMS Power</b>	<b>3500w</b>	<b>3500w</b>
<b>Qts</b>	<b>0.515</b>	<b>0.507</b>
<b>NO (%)</b>	<b>.165</b>	<b>.425</b>
<b>Efficiency (1w/1m)</b>	<b>87.8dB</b>	<b>88.3dB</b>
<b>Impedance</b>	<b>DVC 1 Ω</b>	<b>DVC 1 Ω</b>



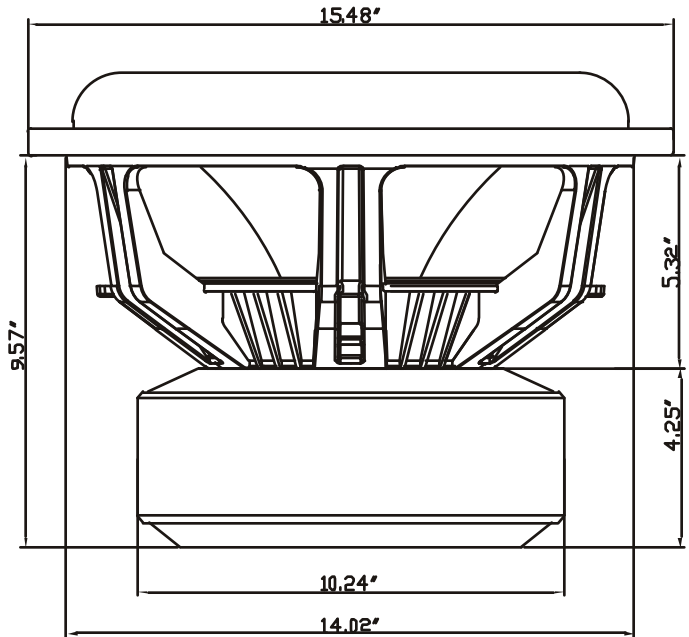
**CAR AUDIO  
SUBWOOFER  
X5.12/X5.15**

# DIMENSIONS

X5.12



X5.15



CAR AUDIO  
SUBWOOFER  
X5.12/X5.15

# SOUNDSTREAM

## LIMITED 90-DAY CONSUMER WARRANTY

## LIMITED ONE-YEAR CONSUMER WARRANTY WITH PURCHASE AND INSTALLATION BY A SOUNDSTREAM AUTHORIZED RETAILER

Soundstream promises to the original purchaser, to repair or replace this product with a new or refurbished unit (at Soundstream's sole and absolute discretion) should it prove to be defective in workmanship or material under normal use, for a period of one-year from the date of purchase from the Soundstream authorized retailer, PROVIDED the product was purchased and installed by a Soundstream authorized retailer. During this one-year period, there will be no charge for product repair or replacement, PROVIDED the unit is returned to Soundstream, return shipping pre-paid, along with the required proof of installation, the bill of sale or other dated proof of purchase, and the consumer's contact information.

If the unit is installed by anyone other than a Soundstream authorized retailer, the warranty period will be 90-days from the date of purchase. This warranty is non-transferable and does not apply to any unit that has been modified or used in a manner contrary to its intended purpose, and does not cover damage to the unit caused by installation or removal of the unit. During this 90-day period, there will be no charge for the repair or replacement PROVIDED the unit is returned to Soundstream, return shipping prepaid, along with the bill of sale or other dated proof of purchase and the consumer's contact information.

This warranty is void if the product has been damaged by an accident or unreasonable use, neglect, improper service, or other causes not arising out of defects in materials or construction. This warranty does not cover the elimination of externally generated static or noise, or the correction of antenna problems or weak reception, damage to speakers, accessories, electrical systems, cosmetic damage or damage due to negligence, misuse, failure to follow operating instructions, accidental spills or customer applied cleaners, damage due to environmental causes such as floods, airborne fallout, chemicals, salt, hail, lightning or extreme temperatures, damage due to accidents, road hazards, fire, theft, loss or vandalism, damage due to improper connection to equipment of another manufacturer, modification of existing equipment, or Product which has been opened or tampered for any reason. Units that are found to be damaged by abuse resulting in thermally damaged voice coils are not covered by this warranty but may be replaced at the absolute and sole discretion of Soundstream. The unit must be returned to Soundstream, postage pre-paid, with a bill of sale or other dated proof of purchase bearing the following information: consumer's name, telephone number, and address, authorized retailer's name and address, and product description. Please contact Soundstream warranty office at 800-724-1377, email to [repairs@soundstream.com](mailto:repairs@soundstream.com), or visit [Soundstream.com/warranty](http://Soundstream.com/warranty) to obtain a Return Authorization Number prior to shipping the product.

Note: This warranty does not cover labor costs for the removal and reinstallation of the unit. IN ORDER FOR THE ONE-YEAR WARRANTY TO BE VALID, YOUR UNIT MUST BE SHIPPED WITH PROOF OF PURCHASE & INSTALLATION BY A SOUNDSTREAM AUTHORIZED RETAILER. ALL UNITS RECEIVED BY SOUNDSTREAM FOR WARRANTY REPAIR WITHOUT PROOF OF SOUNDSTREAM AUTHORIZED DEALER INSTALLATION AND PURCHASE WILL BE COVERED BY THE LIMITED 90-DAY WARRANTY.

BY PURCHASING THIS PRODUCT, ALL WARRANTIES INCLUDING BUT NOT LIMITED TO EXPRESS WARRANTY, IMPLIED WARRANTY, WARRANTY OF MERCHANTABILITY, FITNESS FOR PARTICULAR PURPOSE, AND WARRANTY OF NON-INFRINGEMENT OF INTELLECTUAL PROPERTY ARE EXPRESSLY EXCLUDED TO THE MAXIMUM EXTENT ALLOWED BY LAW, AND SOUNDSTREAM NEITHER ASSUMES NOR AUTHORIZES ANY PERSON TO ASSUME FOR IT ANY LIABILITY IN CONNECTION WITH THE SALE OF THE PRODUCT. SOUNDSTREAM HAS ABSOLUTELY NO LIABILITY FOR ANY AND ALL ACTS OF THIRD PARTIES INCLUDING ITS AUTHORIZED DEALERS OR INSTALLERS. BY PURCHASING THIS PRODUCT, THE CONSUMER AGREES AND CONSENTS THAT ALL DISPUTES BETWEEN THE CONSUMER AND SOUNDSTREAM SHALL BE RESOLVED IN ACCORDANCE WITH CALIFORNIA LAWS IN LOS ANGELES COUNTY, CALIFORNIA. Some states do not allow limitations on how long an implied warranty lasts. In such states, the limitation or exclusions of this Limited Warranty may not apply. Some states do not allow the exclusion or limitation of incidental or consequential damages. In such states, the exclusion or limitation of this Limited Warranty may not apply to you. This Limited Warranty gives you specific legal rights, and you may have other rights which vary from state to state.

Register Your  
Warranty for This  
Product and  
Receive Special  
Offers & Product  
Updates



 <https://soundstream.com/product-registration/>

CAR AUDIO  
SUBWOOFER  
X5.12/X5.15