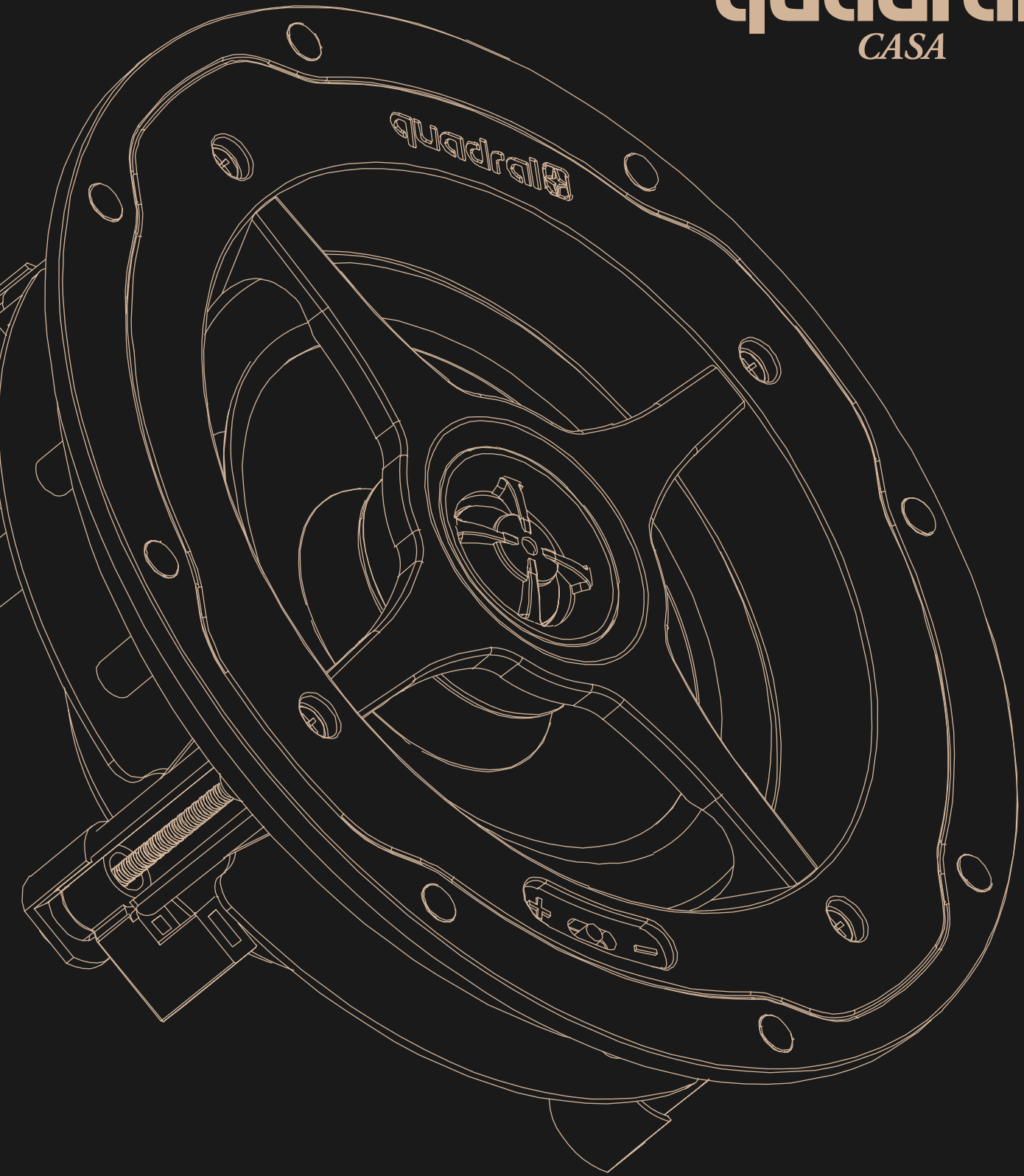


quadral 
CASA



LEGENDARY GERMAN
ENGINEERING



quadral 

GmbH & Co. KG

Am Herrenhäuser Bahnhof 26 · 30419 Hannover · Germany

info@quadral.com · www.quadral.com

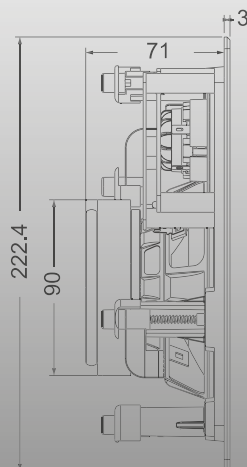
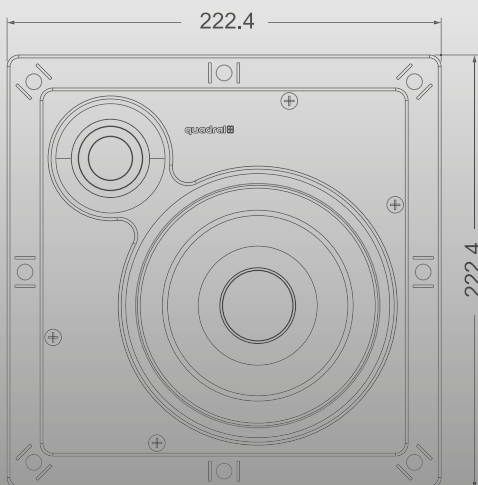
www.facebook.com/quadralhifi · www.youtube.com/quadralhifi



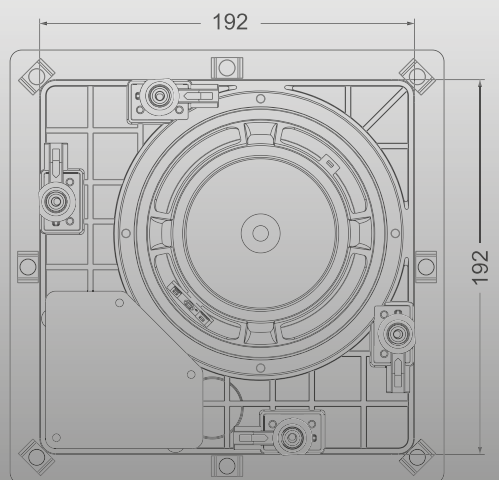
quadral CI5



Type	2-way
Nominal / Music power	55/110 W
Frequency range	70...27.000 Hz
Crossover frequency	3.000 Hz
Nominal impedance	4 Ohm
Tweeter	Ø 22 mm, silk dome
Woofer	Ø 135 mm
Dimensions	226 x 226 x 76 mm
Installation depth	71 mm
Mounting cutout	194 x 194 mm
Weight	1,9 kg



Dimensions without grill

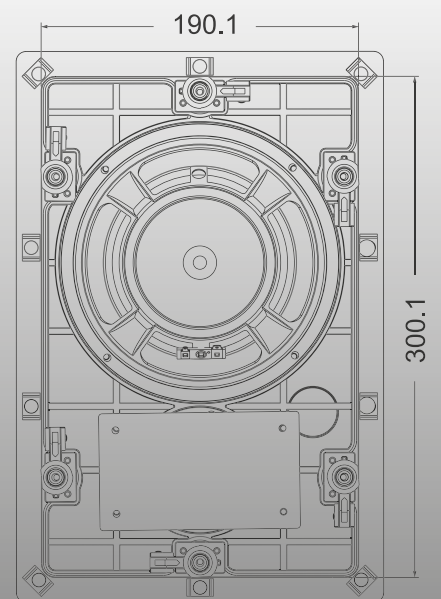
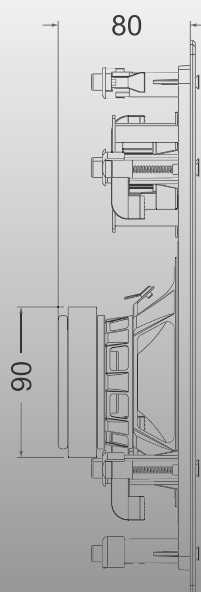




quadral CI6



Type	2-way
Nominal / Music power	60/120 W
Frequency range	65...20.000 Hz
Crossover frequency	2.800 Hz
Nominal impedance	8 Ohm
Tweeter	Ø 30 mm, silk dome
Woofer	Ø 165 mm
Dimensions	332 x 222 x 85 mm
Installation depth	80 mm
Mounting cutout	303 x 193 mm
Weight	2,33 kg

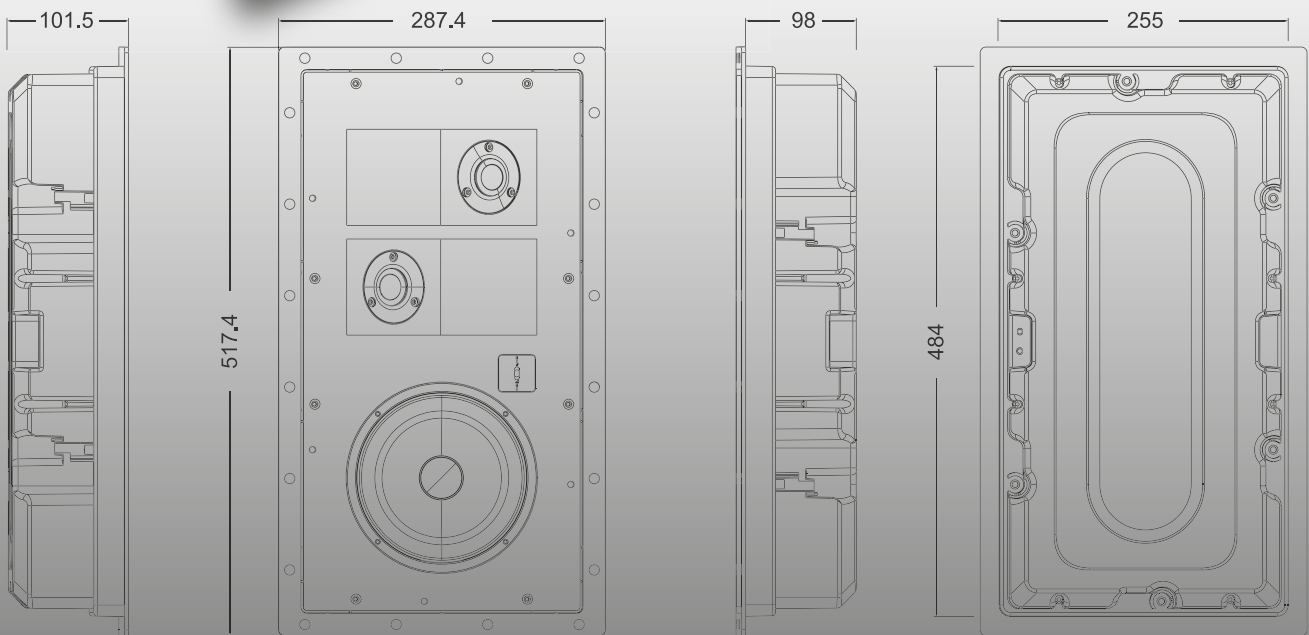


Dimensions without grill

quadral IW611



Type	2-way
Nominal / Music power	60/120 W
Frequency range	65...30.000 Hz
Crossover frequency	2.300 Hz
SPL	105 dB max
Nominal impedance	4 Ohm
Tweeter	Ø 2x 22 mm, silk dome
Woofer	Ø 165 mm
Dimensions	519 x 289 x 104 mm
Installation depth	98 mm
Mounting cutout	486 x 255 mm
Weight	4,7 kg

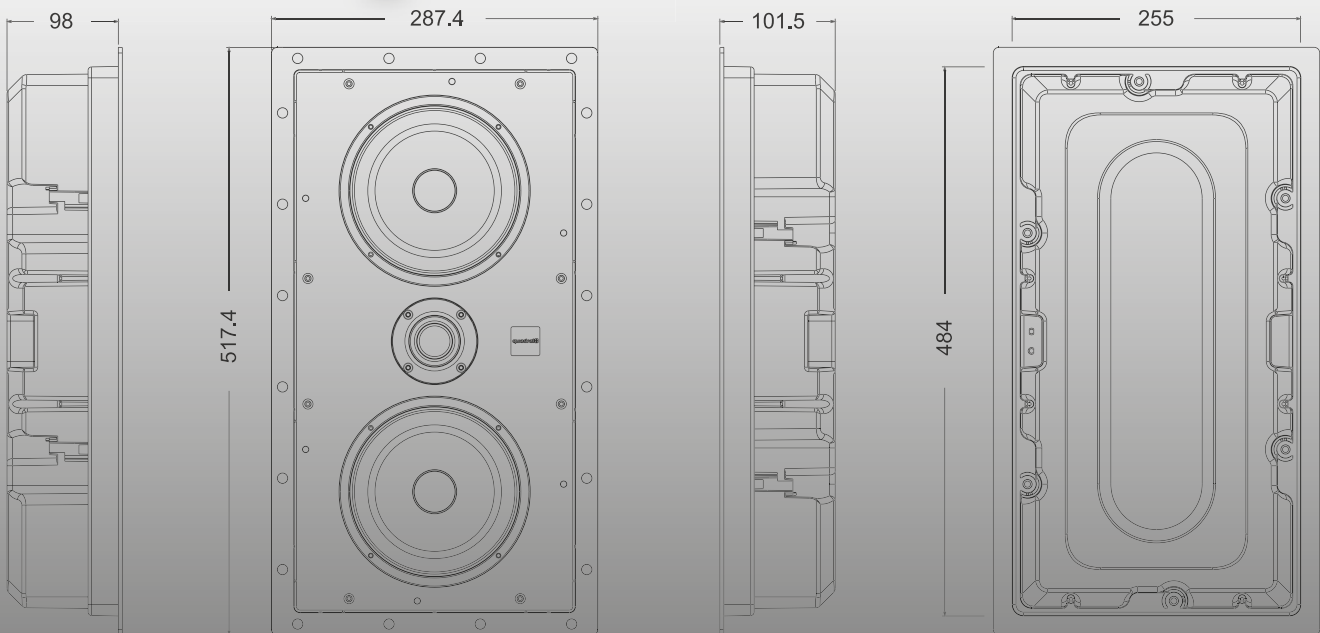


Dimensions without grill

quadral IW621

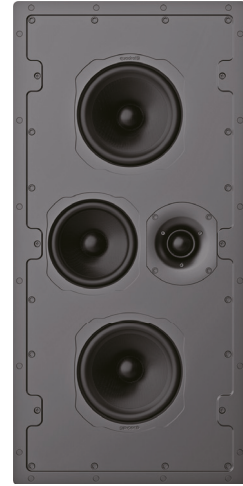


Type	2-way
Nominal / Music power	120/240 W
Frequency range	65...30.000 Hz
Crossover frequency	2.300 Hz
SPL	110 dB max
Nominal impedance	4 Ohm
Tweeter	Ø 30 mm, silk dome
Woofer	Ø 2x 165 mm
Dimensions	519 x 289 x 104 mm
Installation depth	98 mm
Mounting cutout	486 x 255 mm
Weight	5,2 kg

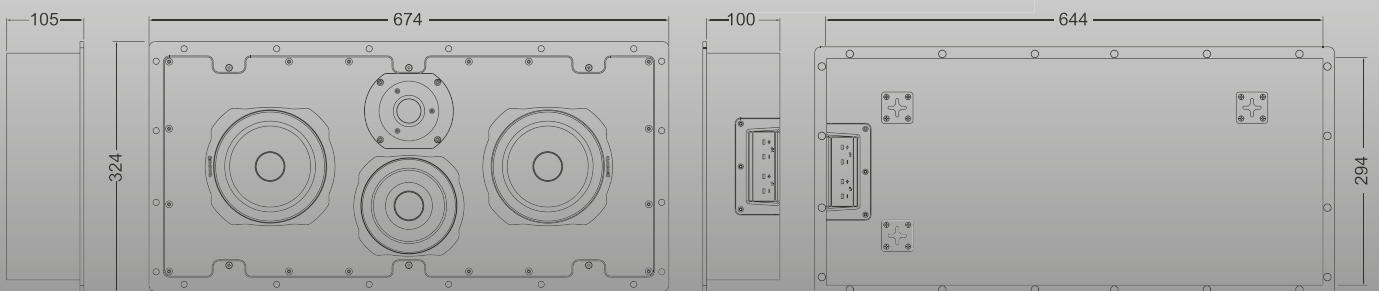


Dimensions without grill

quadral IWS641



Type	3-way
Nominal / Music power	150/300 W
Frequency range	65...30.000 Hz
Crossover frequency	600 / 2.100 Hz
SPL	112 dB max
Nominal impedance	4 Ohm
Tweeter	Ø 30 mm, silk dome
Midrange	Ø 125 mm
Woofer	Ø 2x 165 mm
Dimensions	678.5 x 328.5 x 107 mm
Installation depth	100 mm
Mounting cutout	646 x 296 mm
Weight	13,6 kg

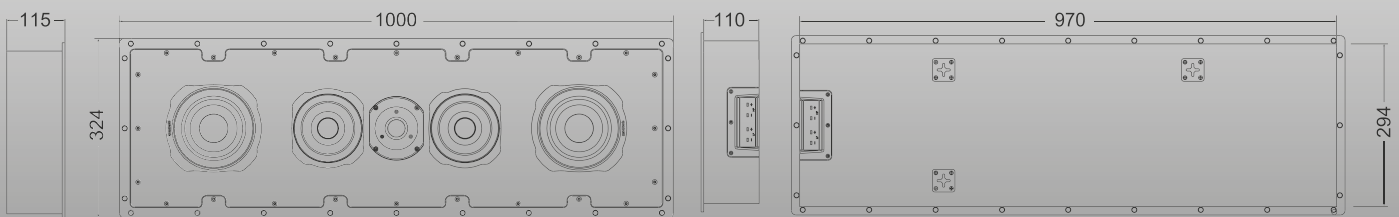


Dimensions without grill

quadral IWS841



Type	3-way
Nominal / Music power	220/450 W
Frequency range	55...30.000 Hz
Crossover frequency	450 / 2.800 Hz
SPL	116 dB max
Nominal impedance	4 Ohm
Tweeter	Ø 30 mm, silk dome
Midrange	2x Ø 125 mm
Woofer	2x Ø 230 mm
Dimensions	1004,5 x 328,5 x 117 mm
Installation depth	110 mm
Mounting cutout	972 x 296 mm
Weight	22,5 kg

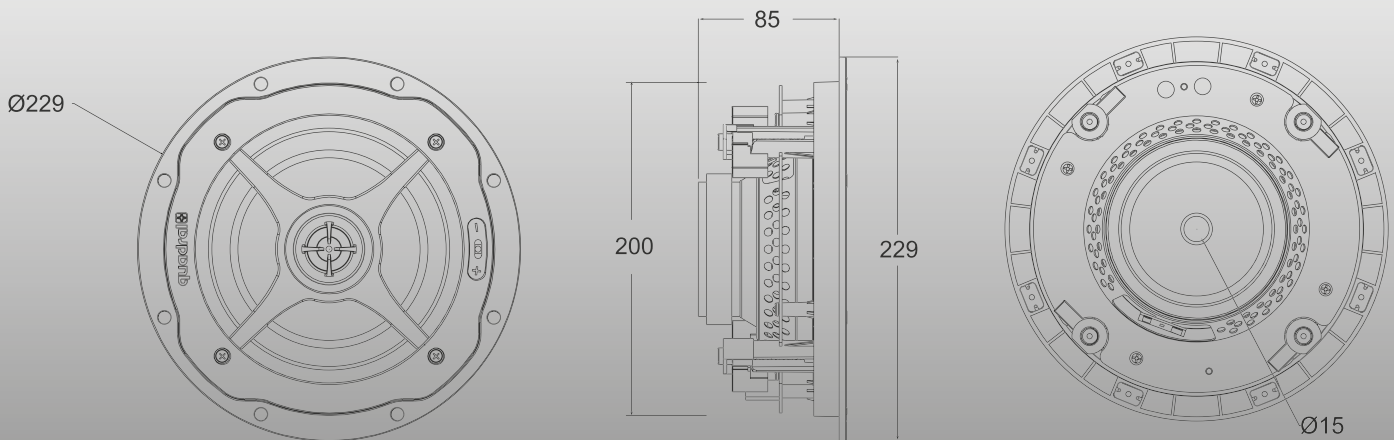


Dimensions without grill

quadral ICE6



Type	2-way
Nominal / Music power	40/80 W
Frequency range	65...22.000 Hz
Crossover frequency	3.000 Hz
Nominal impedance	8 Ohm
Tweeter	Ø 25 mm, silk dome
Woofer	Ø 165 mm
Dimensions	93 x Ø 231 mm
Installation depth	85 mm
Mounting cutout	Ø 202 mm
Weight	2,06 kg



Dimensions without grill

CI-5 / CI-6

- ✓ Open chamber design principle
- ✓ Strong cast aluminum front baffle optimizes noise vibration and sound reflection
- ✓ Woven glass fiber cone with powerful driver (90mm dimension of motor structure), strong magnet and large voice coil (32mm)
- ✓ The tweeter's waveguide achieves controllable dispersion and provides an optimized off-axis and power response
- ✓ Gold plated speaker connecting terminal
- ✓ Magnetic cover, paintable, slim sized

ICE-6

- ✓ Open chamber design principle
- ✓ Strong cast aluminum front baffle optimizes noise vibration and sound reflection
- ✓ Woven glass fiber cone with powerful driver (100mm dimension of motor structure), strong magnet and large voice coil (32mm)
- ✓ The tweeter's waveguide achieves controllable dispersion and provides an optimized off-axis and power response. The tweeter is rotatable
- ✓ Tweeter switch (neutral, +3dB, -3dB)
- ✓ Gold plated speaker connecting terminal
- ✓ Magnetic cover, paintable, slim sized

IW-611 / IW-621

- ✓ Sealed chamber design principle
- ✓ ABS back box cabinet reinforced with fiber glass gives a high density cabinet structure with optimized acoustical performance
- ✓ The 15mm flocked MDF front baffle strongly reduces vibrations and reflections at the cabinet
- ✓ Woven glass fiber cone with powerful driver (90mm dimension of motor structure), strong magnet and large voice coil (32mm)
- ✓ The tweeter's waveguide achieves controllable dispersion and provides an optimized off-axis and power response.
- ✓ Short circuit ring made from aluminum which reduces distortion at high power level and enhances the dynamic performance
- ✓ Gold plated speaker connecting terminal
- ✓ Magnetic cover, paintable, slim sized

Special for IW-621

- ✓ IW-611 is a dipole speaker with 2 tweeters (1 tweeter can be changed by 180 degree)
- ✓ The triangle acoustic foam dramatically linearizes the tweeter and optimizes the off-axis performance

IWS-641 / IWS-841

- ✓ Sealed MDF chamber
- ✓ Strong aluminum baffle wall with CNC milling optimizes noise vibration and sound reflection
- ✓ Woven glass fiber cone with powerful driver (90mm dimension of motor structure), strong magnet and large voice coil (32mm)
- ✓ Short circuit ring made from aluminum which reduces distortion at high power level and enhances the dynamic performance
- ✓ The tweeter's waveguide achieves controllable dispersion and provides an optimized off-axis and power response.
- ✓ Separate midrange chamber
- ✓ Housing made of strong MDF board
- ✓ Gold plated speaker connecting terminal
- ✓ Magnetic cover, paintable, slim sized